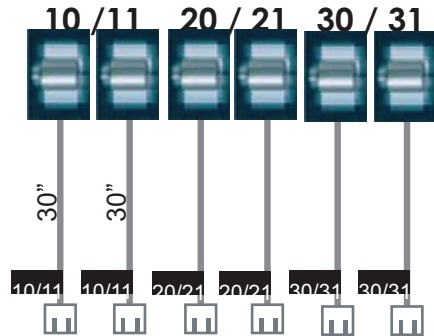


# Massage System Parts List

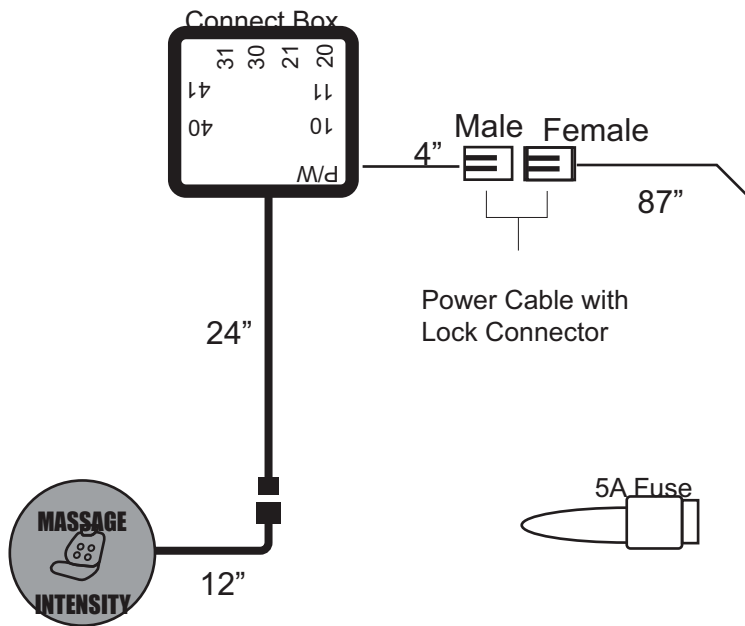
## AC003-MSG

Wired Control System

6 Massage Functions + 6 Motors



10,11---Upper Back  
20,21---Lower Back  
30,31---Seat Cushion



Note: UL Certified Wire

# How To Operate The Massage Controller

## 2. Massage Modes ( Up )

Push Up 1 : Turn on massage, Go to Mode 1 & Intensity level 1

Push Up 2 : Massage Function Mode 2

Push Up 3 : Massage Function Mode 3

Push Up 4 : Power Off

The power will turn off automatically after 15 minutes.



## 1. Intensity ( Down )

Push Down 1 : Massage turns on; Go to Mode 1 & Intensity Level 1

Push Down 2 : Intensity Level 2

Push Down 3 : Intensity Level 3

Push Down 4 : Power Off

The power will turn off automatically after 15 minutes.

ITEM	PARTS LIST	Q'TY
1	Connector Box	1pc
2	Switch Controller	1pc
3	Fuse 5A	1pc
4	Power/ Ground Wire	1pc
5	Vibration Motors	6pcs

Option : 2, 4 or 8 Motors set available

## Motor Placement



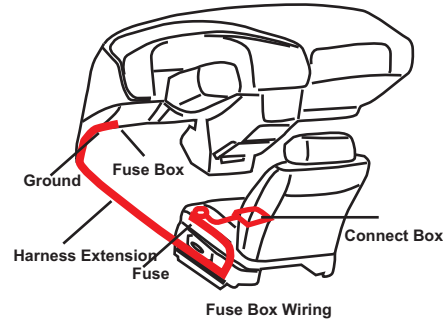
Motor position adjustable for personal needs

**Power cord : Red is positive, black is negative**

# ASSEMBLY INSTRUCTIONS FOR MASSAGE PARTS

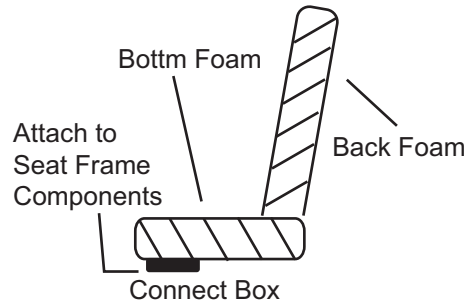
## Power Connection To Vehicle

- 1.Run the power harness under the carpet and along the scuff plate toward the fuse box.
- 2.Install the negative wire to the OEM ground screw and secure in place.
- 3.Connect the red wire(positive)to the power seat mechanism power wire.



## Wiring Placement

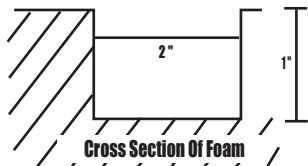
Route the wires down the back of the seat and pass them to the rear of the bottom seat cover. Cut an entry hole at the rear of the bottom seat cover and pass the wire harness through or tuck the harness around the rear of the seat cushion. Attach the controller box to the seat frame components with tie wraps and connect all wiring and the controller wand. Bundle up and organize the loose wiring with tie wraps as shown below.



## Motor Installation Foam

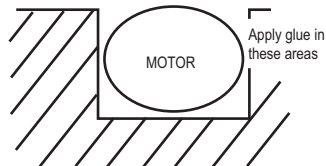
### (A.) Foam Cutout:

Cut out the foam to receive the shape of the motor housing by pulling back the long cut of the foam and placing the blade on an angle and cut towards the center. Repeat this on the other side and remove the foam cutout .



### (B.)Verify that all motors are operational before Gluing:

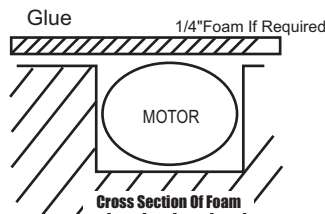
Gluing Motors:Using spray gluc, apply into the foam cavity and then place motor into foam cavity and gently pull the motor wires to insure a light fit. Apply pressure to the top of motors and hold against the foam for 15 seconds.



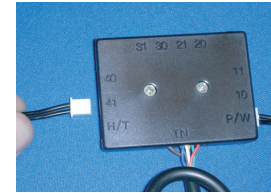
Do not spray glue on the motor or motor plate

### (C.)Needle Punch Application

The Photo below shows the final installation of the needle punch on the set bottom



## Connector/Zone Locations



- 10 and 11 - Zone 1 - Upper Back
- 20 and 21 - Zone 2 - Lower Back
- 30 and 31 - Zone 3 - Seat Cushion
- 40 and 41 - Zone 4 - Seat Cushion
- P/W - Power Input

## Important Safety Instructions

When using an electrical appliance, basic precautions should always be followed, including the following: Read all instructions before using this appliance.

### DANGER - To reduce the risk of electric shock:

- 1.Always unplug this appliance from electrical outlet immediately after using and before cleaning.
- 2.Do not reach for an appliance that has fallen into water. Unplug it immediately.
- 3.Do not place or storean appliance where it can fall or be pulled into a tub or sink.
- 4.Do not place in or drop into water or any other liquid.

### WARNING - To reduce the risk, burns, fire, electric shock, or injury to persons:

- 1.An appliance should never be left unattended when plugged in. Unplug from outlet when not in use and before putting on or taking off parts.
- 2.Do not operate under a blanket or pillow. Excessive heating can occur and cause fire, electric shock, or injury to persons.
- 3.Use this appliance only for the intended use as described in this manual.
- 4.Never operate this appliance if it has a damaged cord or plug, if it is not working properly, if it has been dropped or damaged, or dropped into water.
- 5.Do not carry this appliance by its supply cord or use the cord as a handle.
- 6.Keep the cord away from heated surfaces.
- 7.Never drop or insert anything into this product.
- 8.Do not use outdoors.
- 9.To disconnect, turn all controls to the OFF position, then remove plug from outlet.