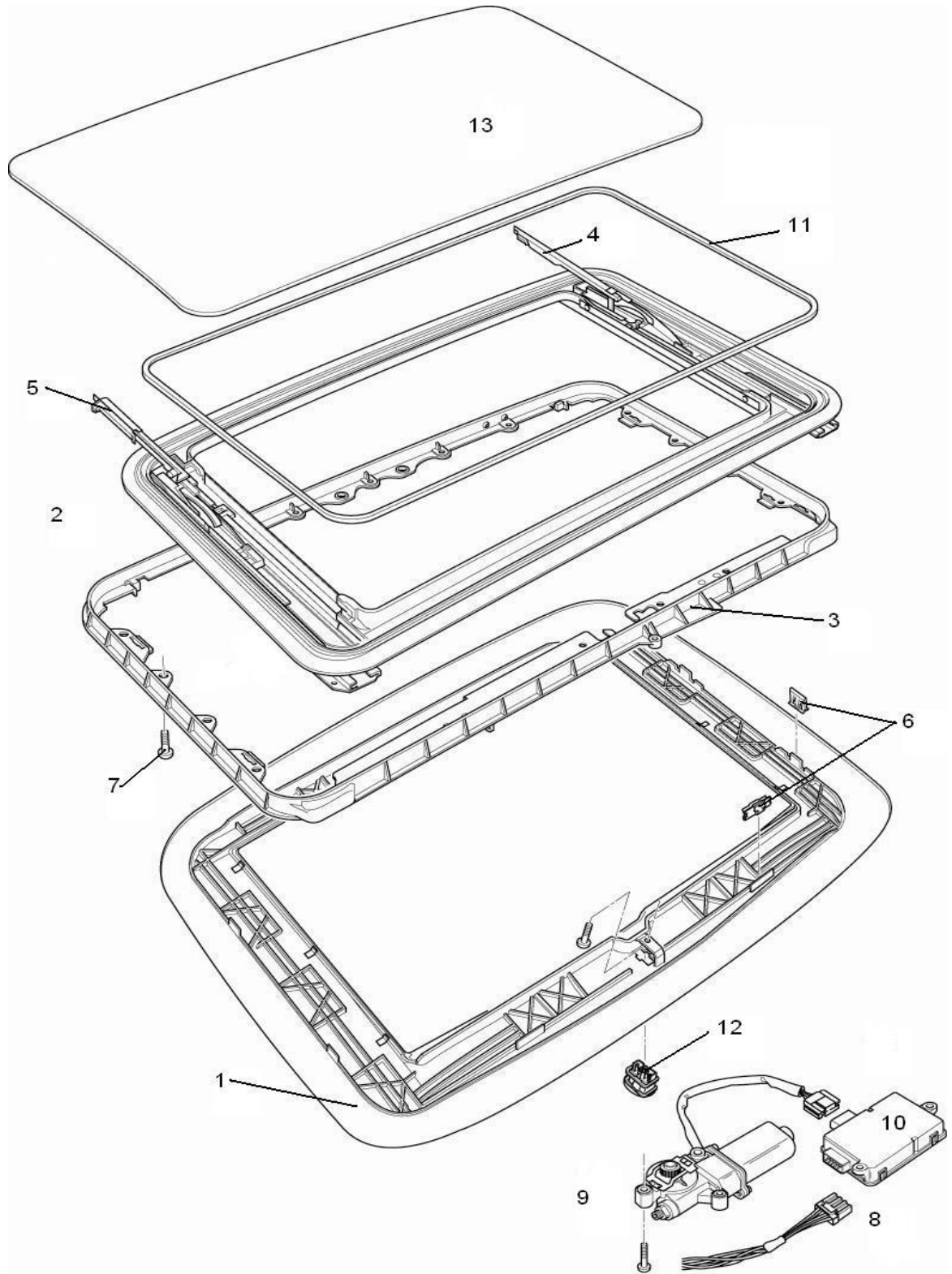


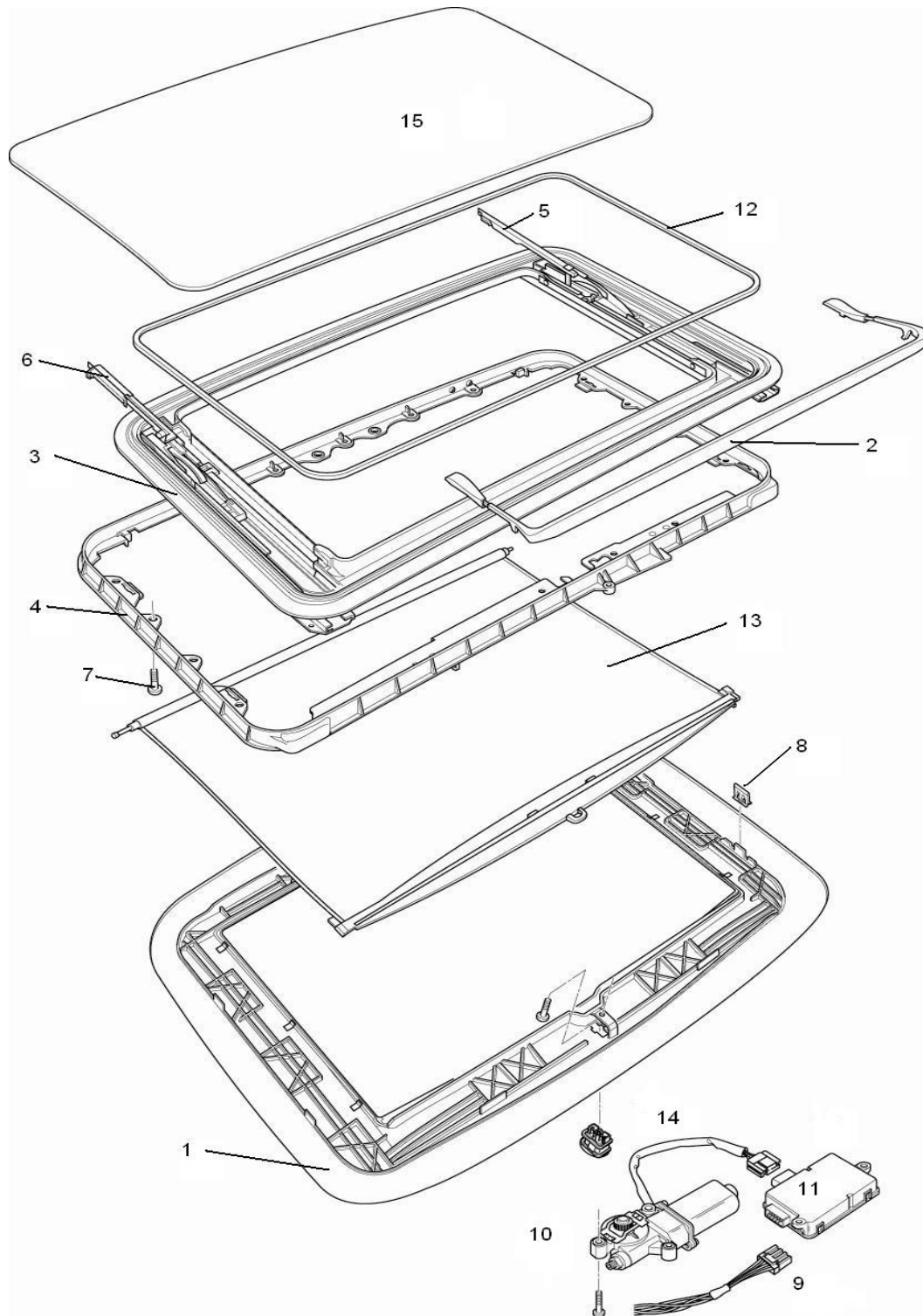
**inalfa** EVENT | 300 Compact QF/FF



Index No	Description	Repair Code	Part Number
1	Trim Ring Assy w/ Fastening Clips	TR300	2400444A70
2	Main Frame w/ Mechanism	MF300QF	3800202A70
3	Clamp Frame w/ Trim Ring Brackets	CF300QF	3800203A70
4	Locking Slider LH	LSL	4110115A70
5	Locking Slider RH	LSR	4110116A70
6	Set of Fastening Clips	FC300	4180165C00
7	Screw Kit	SK300	4180170A11
8	Wiring Harness Electronic	WHE300	4200089A11
9	Motor Assy Electronic	MTR300QF	5380040A70
10	SCU	SCU300QF	6070016A70
11	Main Seal	MS300QF	7400673A70
12	Operating Switch	OS300QF	8050050A70
13	Glass Assy	GA300QF	8840191A70

**Not shown on diagram:**

Butyl Seal	BUTY	10800040A70
Fitting Hardware Kit Electronic	HKE300	4180172A11
Set of Trim Ring Brackets		4180171A11

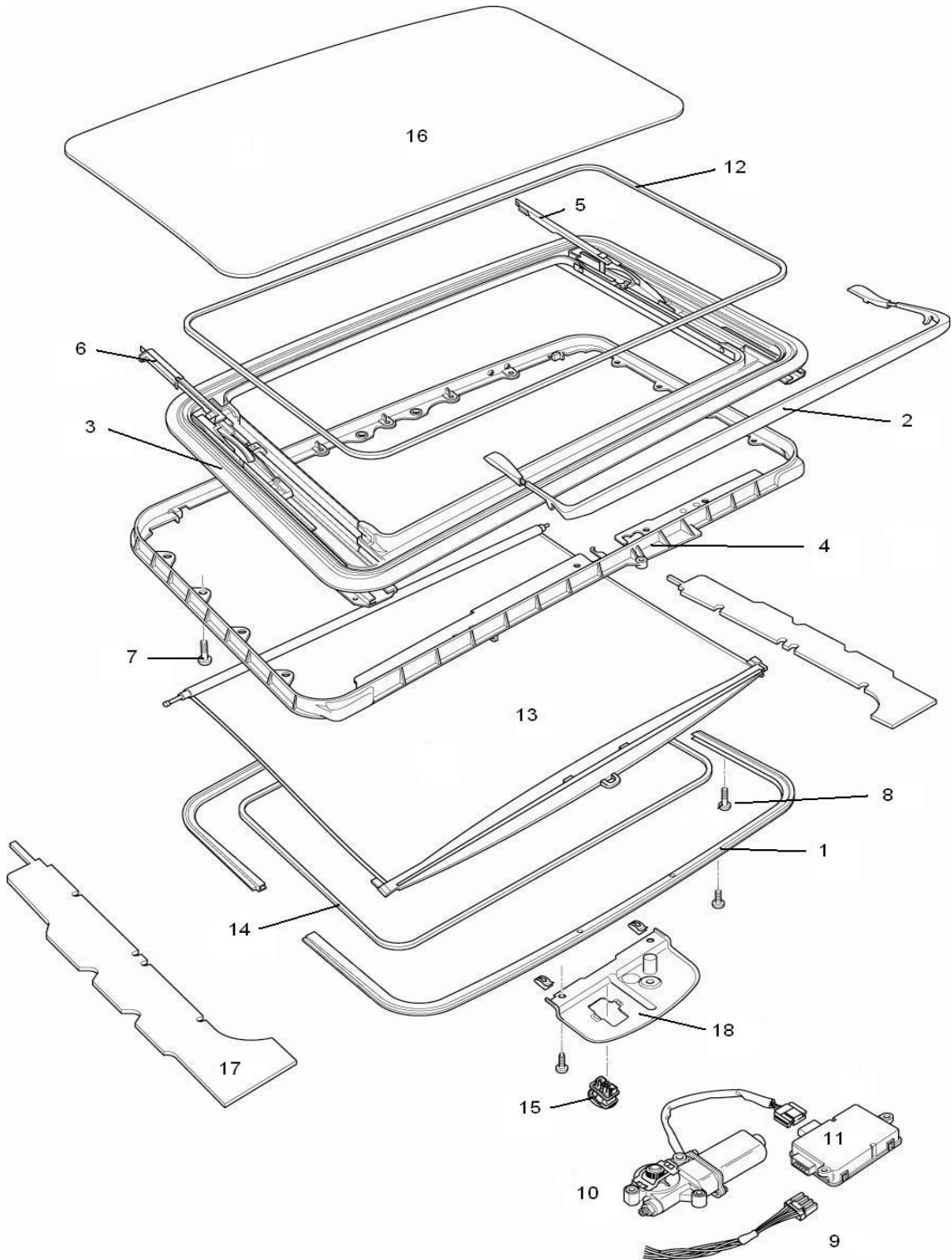


<b>Index No</b>	<b>Description</b>	<b>Repair Code</b>	<b>Part Number</b>
1	Trim Ring Assy w/ Fastening Clips	TR450QF	2400443C00
2	Wind Deflector Assy		N/A
3	Main Frame w/ Mechanism	MF450QF	3800197C00
4	Clamp Frame w/ Trim Ring Bkts	CF450QF	3800198C00
5	Locking Slider LH	LSL	4110115A70
6	Locking Slider RH	LSR	4110116A70
7	Screw Kit	SK450QF	4180163A11
8	Set of Fastening Clips	FC450QF	4180165C00
9	Wiring Harness Electronic	WHE450QF	4200089A11
10	Motor Assy Electronic	MTR450QF	5380040A70
11	SCU	SCU450QF	6070016A70
12	Main Seal	MS450QF	7400672A70
13	Rollo Assy	RA450QF	7500012A70
14	Operating Switch	OS450QF	8050050A70
15	Glass Assy	GA450QF	8840190A70

**Not shown on diagram:**

Butyl Seal	BUTY	10800040A70
Fitting Hardware Kit Electronic	HKE450QF	4180168A11

EVENT | 450 Plus OE/FF



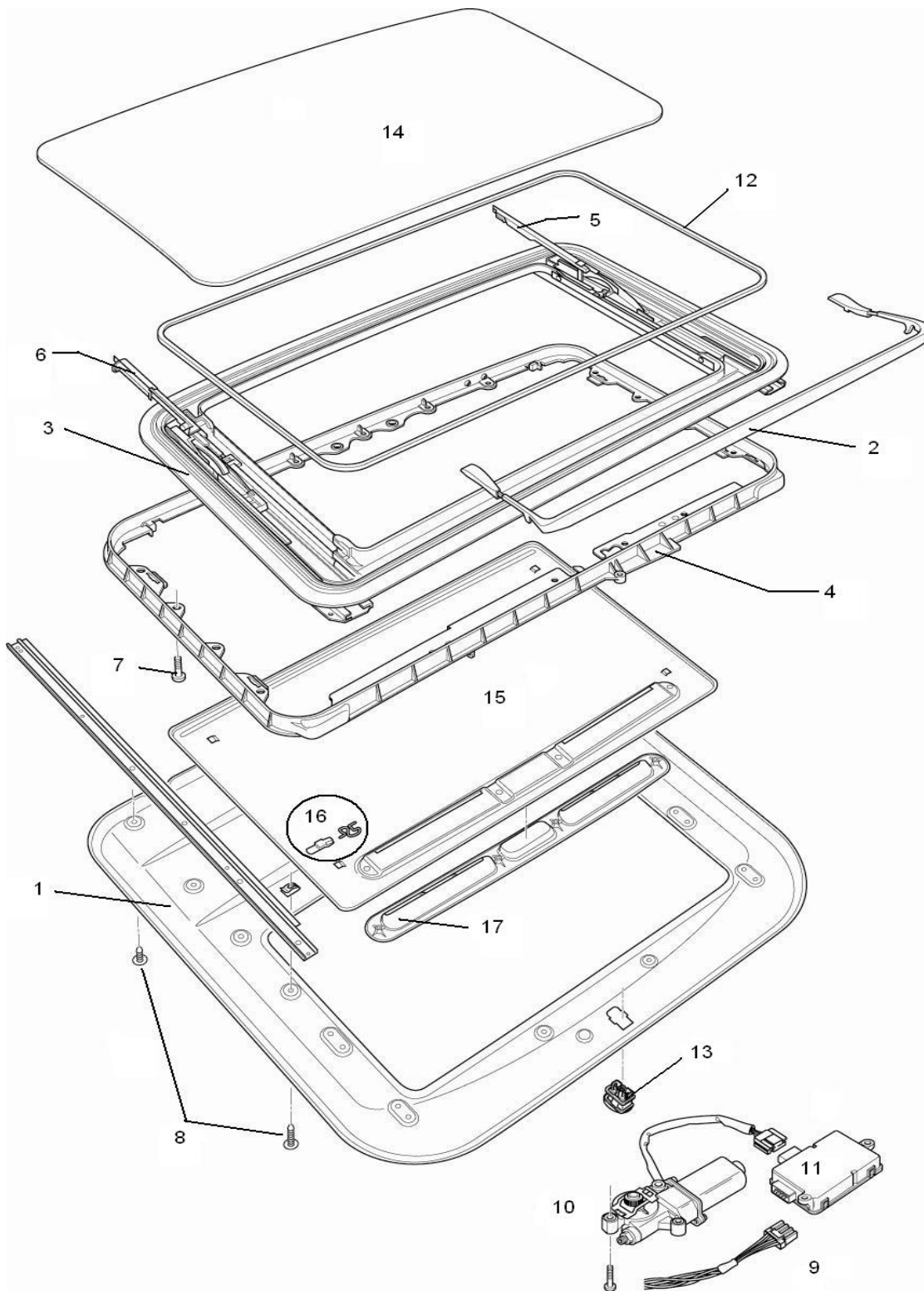


Index No	Description	Repair Code	Part Number
1	Wrap Frame Assy	WFA450OE	3800199A70
2	Wind Deflector Assy		N/A
3	Main Frame w/ Mechanism	MF450OE	3800201A70
4	Clamp Frame Assy	CF450OE	3800200C00
5	Locking Slider LH	LSL	4110115A70
6	Locking Slider RH	LSR	4110116A70
7	Screw Kit	SK450OE	4180166A11
8	Wrap Frame Screws	WFS450	4180167A11
9	Wiring Harness Electronic	WHE450OE	4200089A11
10	Motor Assy Electronic	MTR450OE	5380040A70
11	SCU	SCU450OE	6070016A70
12	Main Seal	MS450OE	7400672A70
13	Rollo Assy	RA450OE	7500012A70
14	Locking Strip	LS450OE	7980003A70
15	Operating Switch	OS450OE	8050050A70
16	Glass Assy	GA450OE	8840190A70
17	Protection Pads	PP450OE	6100003A70
18	Switch Plate Assy	SPA450OE	6400308A70

**Not shown on diagram:**

Butyl Seal	BUTY	10800040A70
Fitting Hardware Kit Wrap Electronic	HKE450OE	4180169A11

**inalfa** EVENT | 450 Plus HS/FF



Index No	Description	Repair Code	Part Number
1	Cover-Assy P177 H/S	CA450HS	2400479E41
2	Wind Deflector Assy		N/A
3	Main Frame w/ Mechanism HS	MF450SS	3800206A70
4	Clamp Frame Assy	CF450OE	3800200C00
5	Locking Slider LH	LSL	4110115A70
6	Locking Slider RH	LSR	4110116A70
7	Screw Kit	SK450HS	4180166A11
8	Fastener Bag	FB450HS	4180191C00
9	Wiring Harness Electronic	WHE450HS	4200089A11
10	Motor Assy Electronic	MTR450SS	5380040A70
11	SCU	SCU450SS	6070016A70
12	Main Seal	MS450SS	7400672A70
13	Operating Switch	OS450SS	8050050A70
14	Glass Assy	GA450SS	8840190A70
15	Panel-P177 Hardshade	PHS450SS	6200970C41
16	H/ware Bag Sunshade Spring	HBSSP450HS	4180173A11
17	Louver-Assy P177 H/S	LA450HS	4980004A70

**Not shown on diagram:**

Butyl Seal	BUTY	10800040A70
Fitting Hardware Kit Wrap Electronic	HKE450OE	4180169A11
Kit-Base P177 H/S	KHS450SS	4730156A00
Kit-Base P177 Trim	KT450SS	4730215A00
Screw-P177 Hardshade	SCR450HS	7310118A70