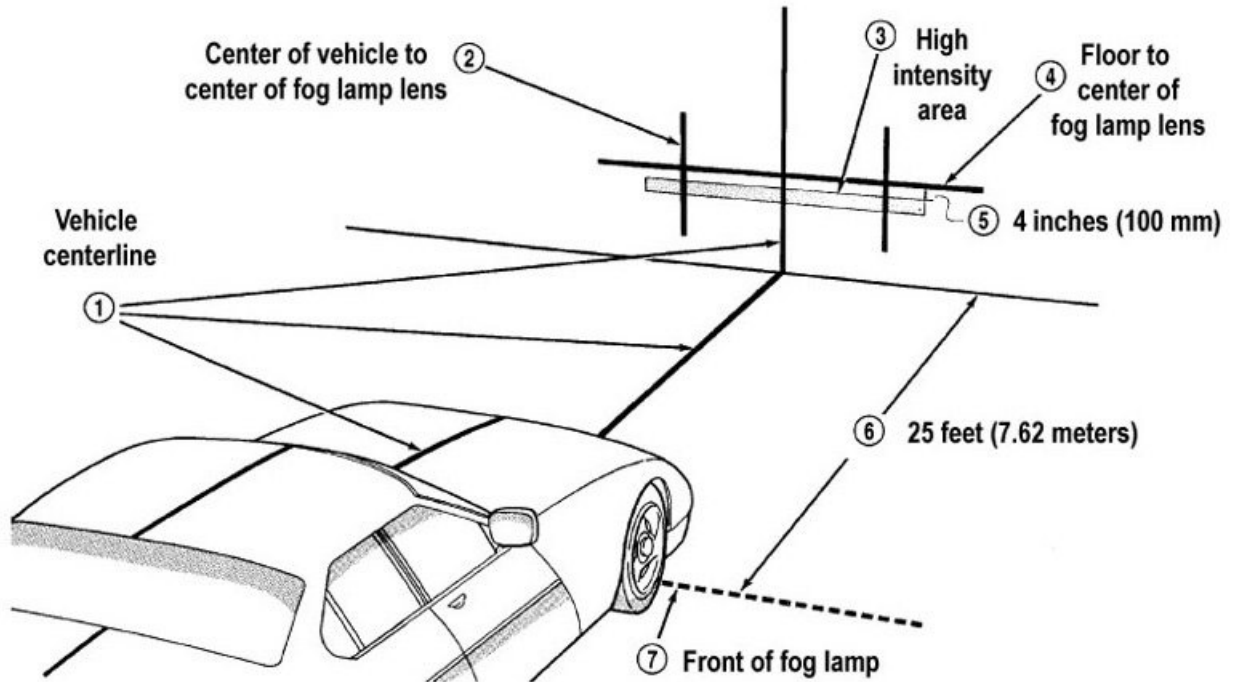




How To Adjust Fog Lights

Fog lamp adjustment



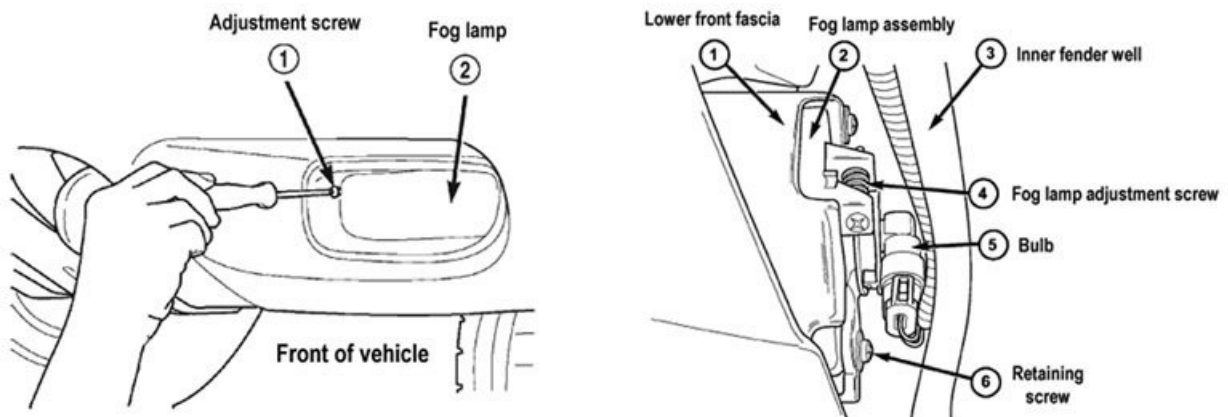
Tools Needed: [Measuring Tape](#)

NOTE! Never use fog lights with high-beam headlamps or auxiliary driving lights as this can blind oncoming traffic.

STEP 1. Park your vehicle on a flat surface with the lights shining on a wall 25 feet away. Not 20 feet. Not 30 feet. It's got to be 25 feet away for the measurements and lights to come out properly.

STEP 2. Now measure from the center of the fog light lens to the ground. Go put a visible mark on the wall at that exact height.

STEP 3. Adjust the fog lights so they are facing straight forward and the top of the beam is about 4 inches lower than that mark you made on the wall.



This should allow the beams to cut right through the fog like they are supposed to.

