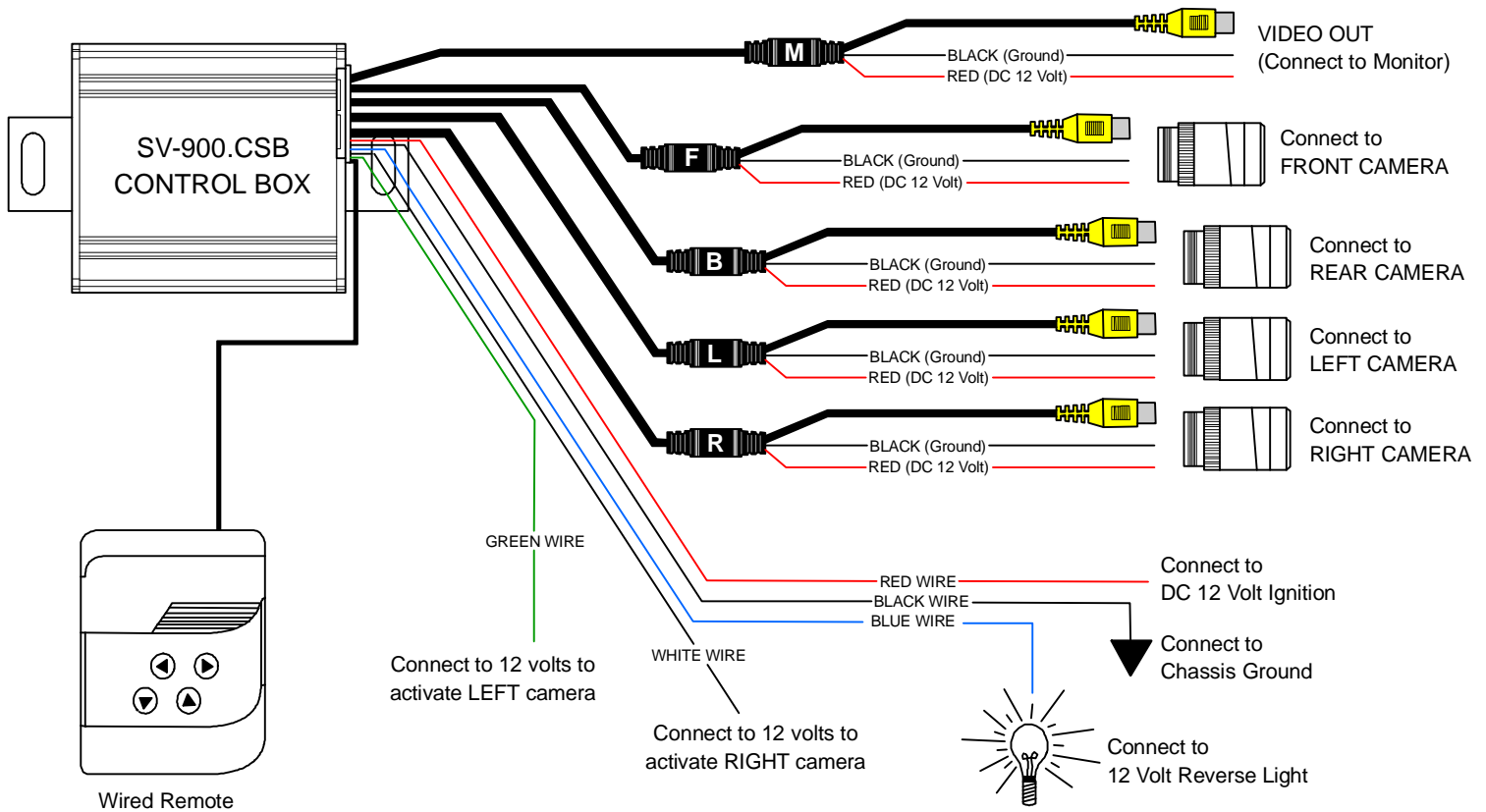


SV-900.CSB

WIRING DIAGRAM



MAIN CONTROL WIRES

1. Connect the **RED** wire of the control box to positive 12 volts Ignition power. (This activates the front camera)
2. Connect the **BLACK** wire of the control box to chassis ground.
3. The **BLUE** wire controls the turn-on for the reverse camera. Connect this wire to the positive 12 volt Reverse light wire in the vehicle
4. Connect the **GREEN** wire to 12 Volt left turn signal to activate the LEFT SIDE camera
5. Connect the **WHITE** wire to 12 volt right turn signal to activate the RIGHT SIDE camera.

When the Ignition key is turned on, the FRONT camera will automatically display its image and remain on until the key is shut off. When the vehicle is shifted into reverse, the REAR camera will activate and stay active until the car is shifted out of reverse. The LEFT and RIGHT side cameras will activate automatically as the turn signals are activated.

REMOTE OPERATION

1. When you press the ▲ button on the remote, the **FRONT** camera's image will display. If you press the ▲ button again, the image will shut off
2. When you press the ▼ button on the remote, the **REAR** camera's image will display. If you press the ▼ button again, the image will shut off
3. When you press the ◀ button on the remote, the **LEFT** camera's image will display. If you press the ◀ button again, the image will shut off
4. When you press the ▶ button on the remote, the **RIGHT** camera's image will display. If you press the ▶ button again, the image will shut off