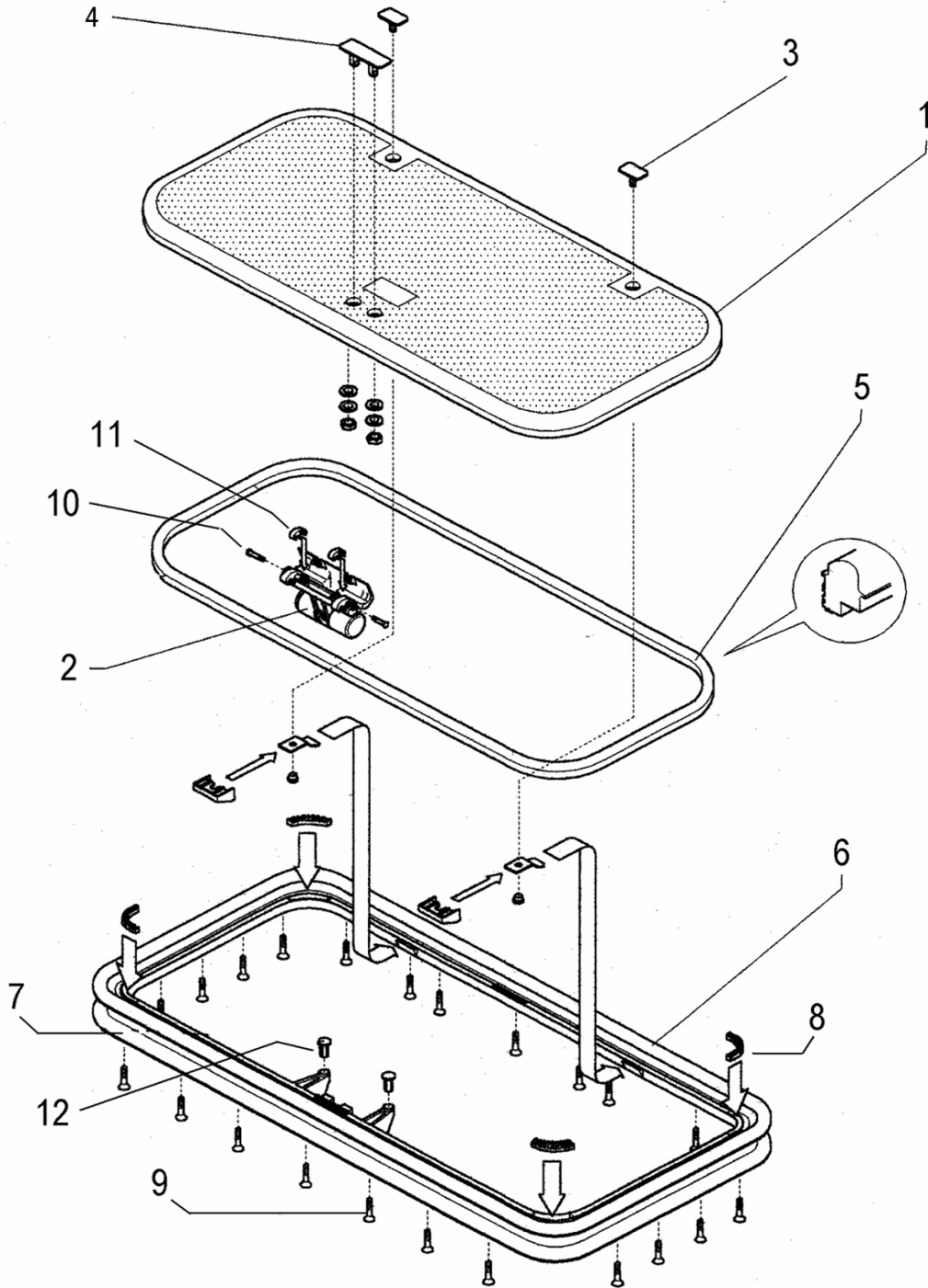


inalfa F | 200



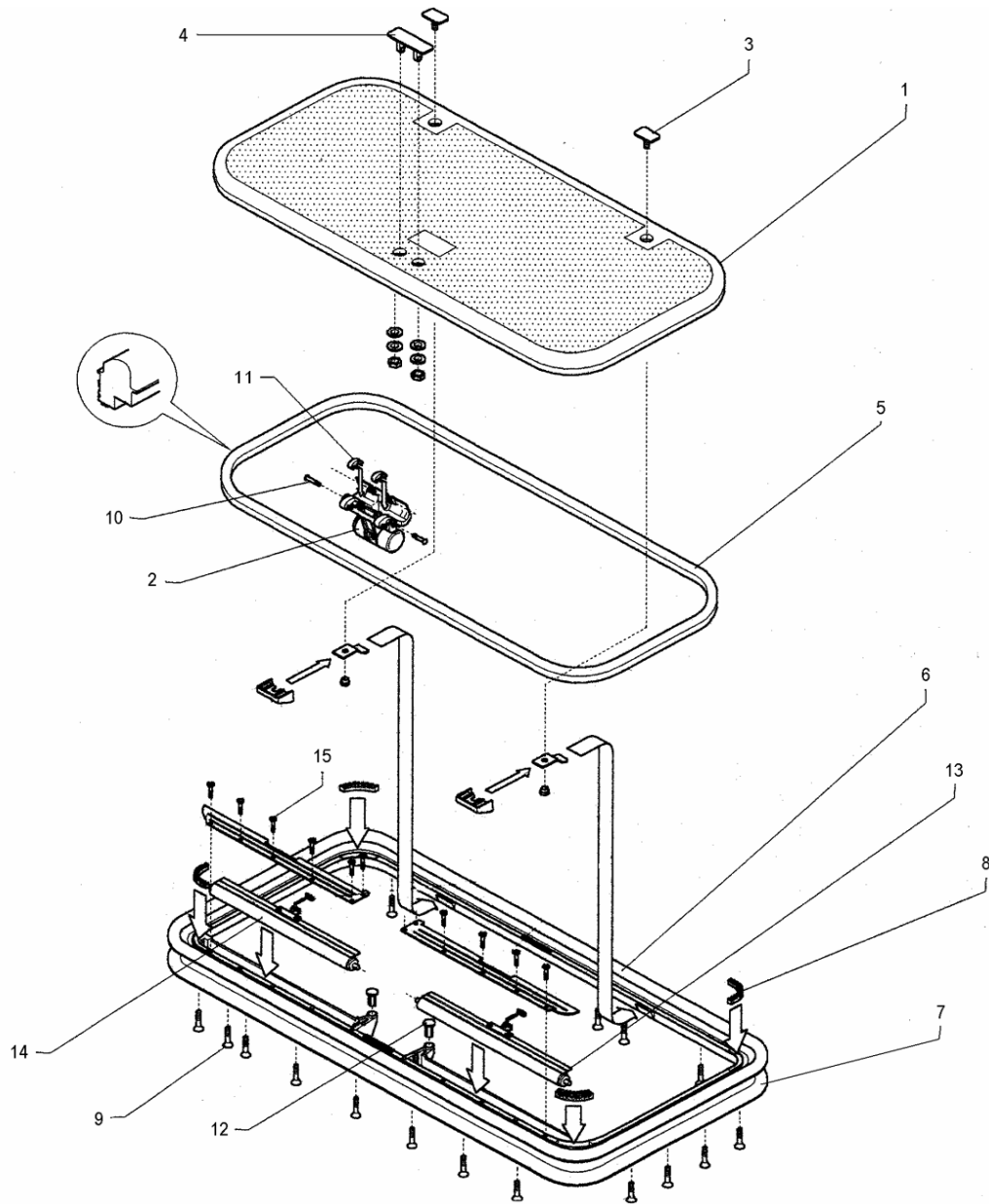
inalfa F | 200

Index No	Description	Repair Code	Part Number
1	Glass Complete F 200	GP200	4000186A70
2	Handle Assy F 200	HA200	4150088A70
3	Hinge Set F 200	HS200	4290090A11
4	Handle Button Assy F 200	HBA200	1780014A70
5	Main Seal F 200	MS200	7400653A70
6	Frame w/ Inner F 200	MF200	3800195A70
7	Clamp Frame F200/400/520		N/A
8	Corner Stop Set F200/400/520/525		N/A
9	Screw Set F-series		4180135A11
10	Slide Pin Button Set F200/400/700		N/A
11	Safety Clip Set F200/400/700		2100170A70
12	Stop Set F200/400		N/A

Not shown on drawing:

Butyl Seal	BUTY	1080040A70
Hardware Box F 200	HB200	4180160A70
Safety Clips Grey (2100182A70)		
Molding T-Profile (5400784A41)		
H/Ware Bag Frame Screws (27) (4180135A11)		
Adhesive Butyl Int'l (1080040A70)		
T Profile F200/400/525/700		5400784A41
Template F 200	TEM200	8210055A70

inalfa F 400



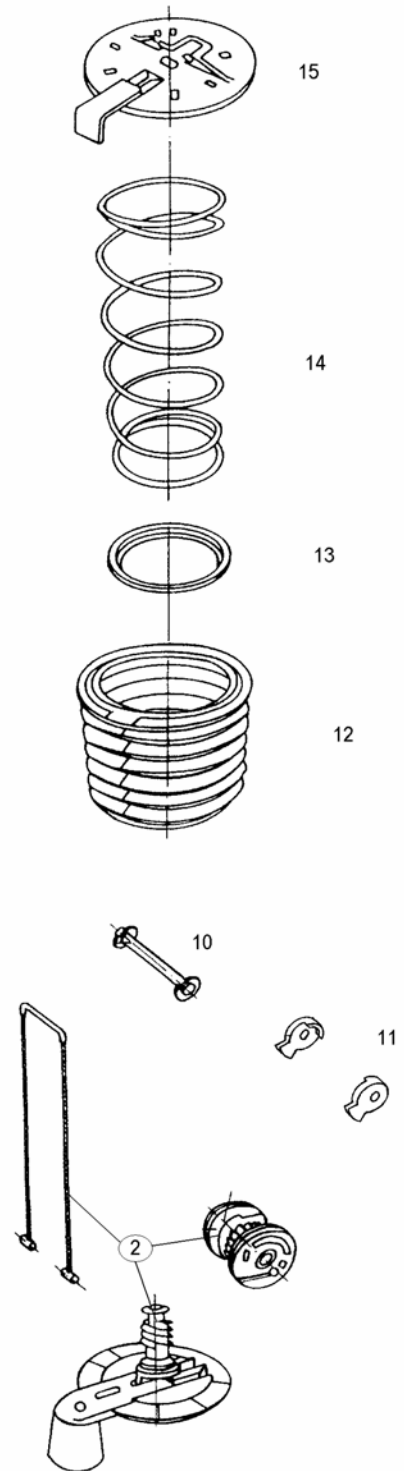
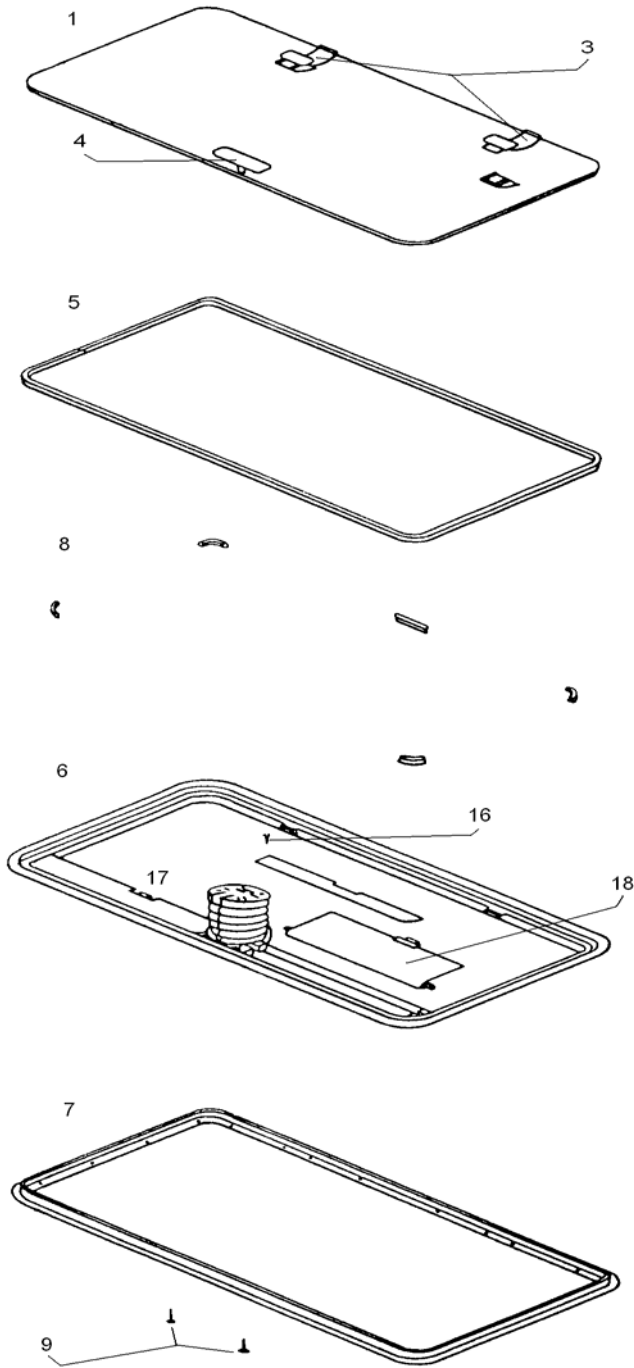
inalfa F 400

Index No	Description	Repair Code	Part Number
1	Glass Complete F 400	GP400	4000179A70
2	Handle Assy F 400/700	HA400	4150086A70
3	Hinge Set F 400	HS400	4290090A11
4	Handle Button Assy F 400	HBA400	1780013A70
5	Main Seal F 400	MS400	7400653A70
6	Frame Main w/ Inner F 400	MF400	3800175A70
7	Clamp Frame F200/400/520		N/A
8	Corner Stop Set F200/400/520/525		N/A
9	Screw Set F-series		4180135A11
10	Slide Pin Button Set F200/400/700		N/A
11	Safety Clip Set F200/400/700		2100170A70
12	Stop Set F200/400		N/A
13	Shade RH F 400	SSR400	7500002A70
14	Shade LH F 400	SSL400	7500001A70
15	Cover Screw Set F400/520/525		N/A

Not shown on drawing:

Butyl Seal	BUTY	1080040A70
Hardware Box F 400	HB400	4180149A11
Red Safety Clip (2100170A70)		
Frame Screws (27) (4180135A11)		
Molding T-Profile (5400784A41)		
Adhesive Butyl Int'l (1080040A70)		
T Profile F200/400/525/700		5400784A41
Template F 400	TEM400	8210055A70

inalfa F | 525



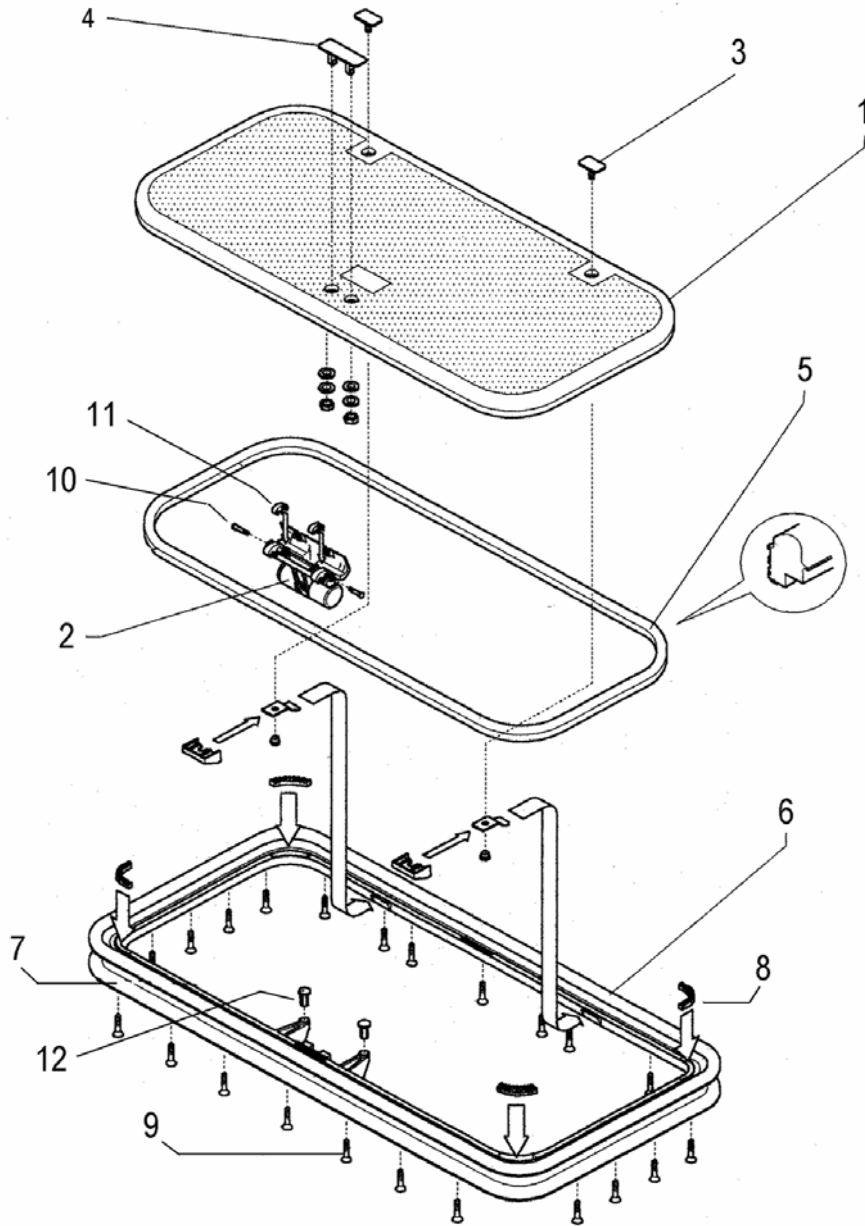
inalfa F | 525

Index No	Description	Repair Code	Part Number
1	Glass Complete F 525	GP525	4000181A70
2	Crank Repair Set F520/525		N/A
3	Hinge Set F 525	HS525	4290089A11
4	Glass Fixing Plate Set F520/525		N/A
5	Main Seal F 525	MS525	7400657A70
6	Frame Main w/Inner F 525	MF525	3800177A70
7	Clamp Frame F525		N/A
8	Corner Stop Set F200/400/520/525		N/A
9	Screw Set F-series		4180135A11
10	Shaft Set F520/525		N/A
11	Rotation Limiter F520/525		N/A
12	Sleeve F520/525		N/A
13	Safety Ring F520/525		N/A
14	Spring F520/525		N/A
15	Locking Plate F520/525		N/A
16	Cover Screw Set F400/520/525		N/A
17	Shade LH F 525	SSL525	7500003A70
18	Shade RH F 525	SSR525	7500004A70

Not shown on drawing:

Butyl Seal	BUTY	1080040A70
Hardware Box F 525	HB525	4180150A11
T Profile F200/400/525/700		5400784A41
Template F 525	TEM525	8210054A70

inalfa F | 700



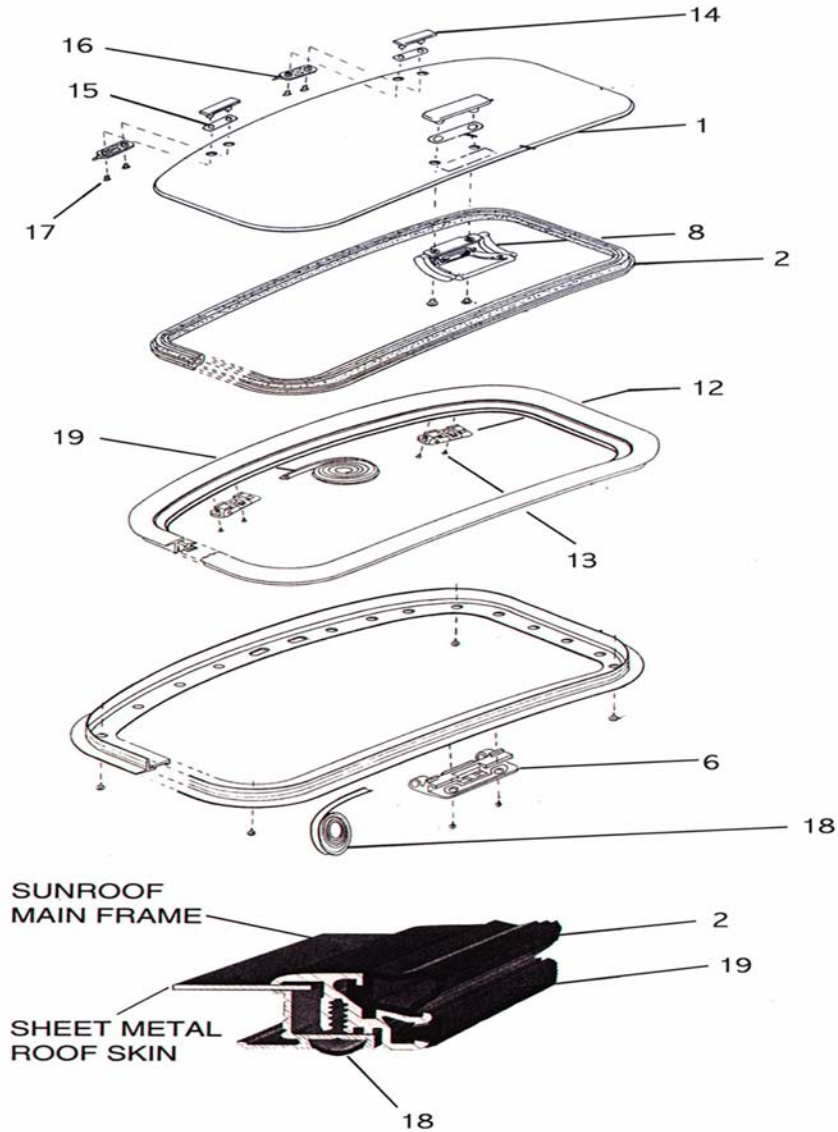
inalfa F | 700

Index No	Description	Repair Code	Part Number
1	Glass Complete F 700	GP700	4000171A70
2	Handle Assy F 400/700	HA700	4150086A70
3	Hinge Set F 700	HS700	4290089A11
4	Handle Button F 700	HBA700	1780013A70
5	Main Seal F 700	MS700	7400652A70
6	Frame Main w/Inner F 700	MF700	3800174A70
7	Clamp Frame F700		N/A
8	Corner Stop Set F700		N/A
9	Screw Set F-series		4180135A11
10	Slide Pin Button Set F200/400/700		N/A
11	Safety Clip Set F200/400/700		2100170A70
12	Stop Set F700		N/A

Not shown on drawing:

Butyl Seal	BUTY	1080040A70
Hardware Box F 700	HB700	4180149A11
Red Safety Clip (2100170A70)		
Frame Screws (27) (4180135A11)		
Molding T-Profile (5400784A41)		
Adhesive Butyl Int'l (1080040A70)		
T Profile F200/400/525/700		5400784A41
Template F 700	TEM700	8210056A70

900



Index No	Description	Repair Code	Part Number
2	Seal Main		7400708A70
6	Mainframe Kit	HBF900	4730289A00
8	Multi Handle Assembly - Glass	MHA900	4150097A70
12, 13	Hinge Kit	HBLF900	4730291A00
1, 14 -17	Glass Assembly	GP900	8840206A70
18	Finisher	FIN900	5400815A70
19	Filler Bead	FB900	5400816A70
	Screw - Frame (20)	SF900	4180187A70
	Template	TEM900	8210075A70