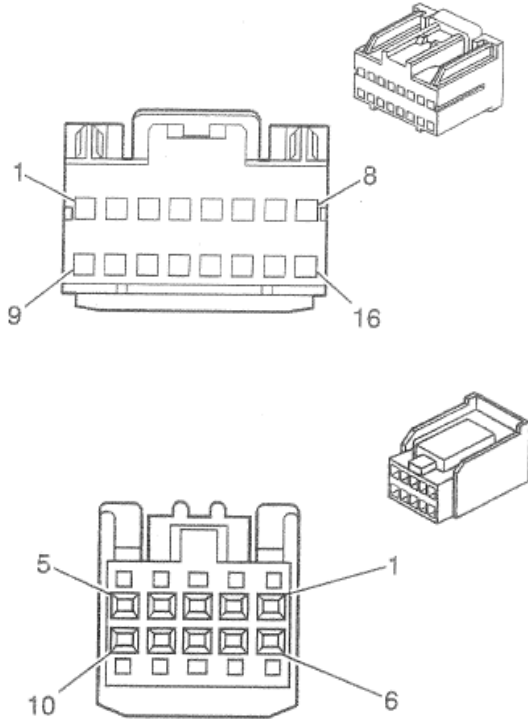


**9002-6006A 2010 Equinox/2010 Terrain/2010 Lacrosse/2010 Cruze/2011 CTS Jumper harness, 2010 Camaro/2010 SRX and 2011 Regal Jumper Harness**

To be used in conjunction with Brandmotion kit numbers 9002-9510, 9002-9511, 9002-9515 or 9002-9516

1. Insert the longer 10 pin connector of the jumper harness into the vehicle headliner harness.
2. Insert the universal harness red wire into pin 1 for comp/temp mirrors and into pin 6 for non comp/temp mirrors of the 16 pin shorter connector of the jumper harness.
3. Insert the universal harness black wire into pin 2 for comp/temp mirrors and into pin 7 for non comp/temp mirrors of the shorter 16 pin connector of the jumper harness.
4. Insert the shorter connector of the jumper harness into the RVS mirror.



<u>16 pin</u>	<u>Description</u>	<u>9002-6006A Wire Color</u>	<u>10 pin</u>	<u>Remarks</u>
1	Not used			See note 2
2	Not used			See note 3
3	Not used			
4	Not used			
5	Auto Dimming +	Gray	9	
6	Camera Video Signal +			See note 2
7	Camera Video Signal -			See note 3
8	Ground	Black	5	
9	Backup Lamp Relay Control (Reverse)	Green	1	
10	Not used			
11	Onstar Keypad Signal	White	3	
12	Onstar Keypad Supply Voltage	Light Green	4	
13	Ignition 1 Voltage	Pink	2	
14	Onstar Keypad Green LED Signal	Yellow	6	
15	Onstar Keypad Red LED Signal	Brown	7	
16	Auto Dimming -	Red	8	
	Not used		10	